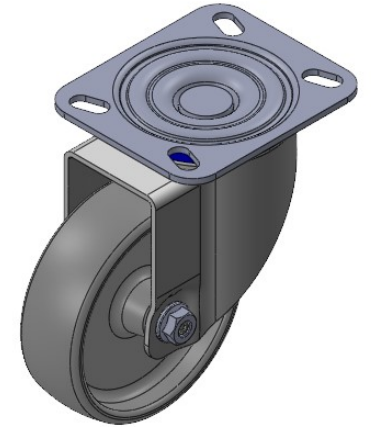



Max. Loading capacity=130 Kg.
Max. Heat= + 250 HT



General Tolerance: ±0,5

			Rev.				
			3-				
			2-				
			1-				
Hardness (HRC)	-						
Surface Treats	Value						
Material	Qty	Scale	Date	Name	Signature	Assembly No	-
-	-	1/1	Prepared By 27.09.2021	Gamze YILMAZ			
			Confirmation 27.09.2021	R&D officer			
 KAMA PRES SANAYİ VE TİCARET A.Ş. Tel: (0212) 655 21 00 GÜNEŞLİ / İSTANBUL			Product Name			Drawing No	-
			3302 PPB 100 HEAT RESISTANT ROULETTE			Code No	27-60-2432